



TAP MASTER
pipeline specialty services
INC.

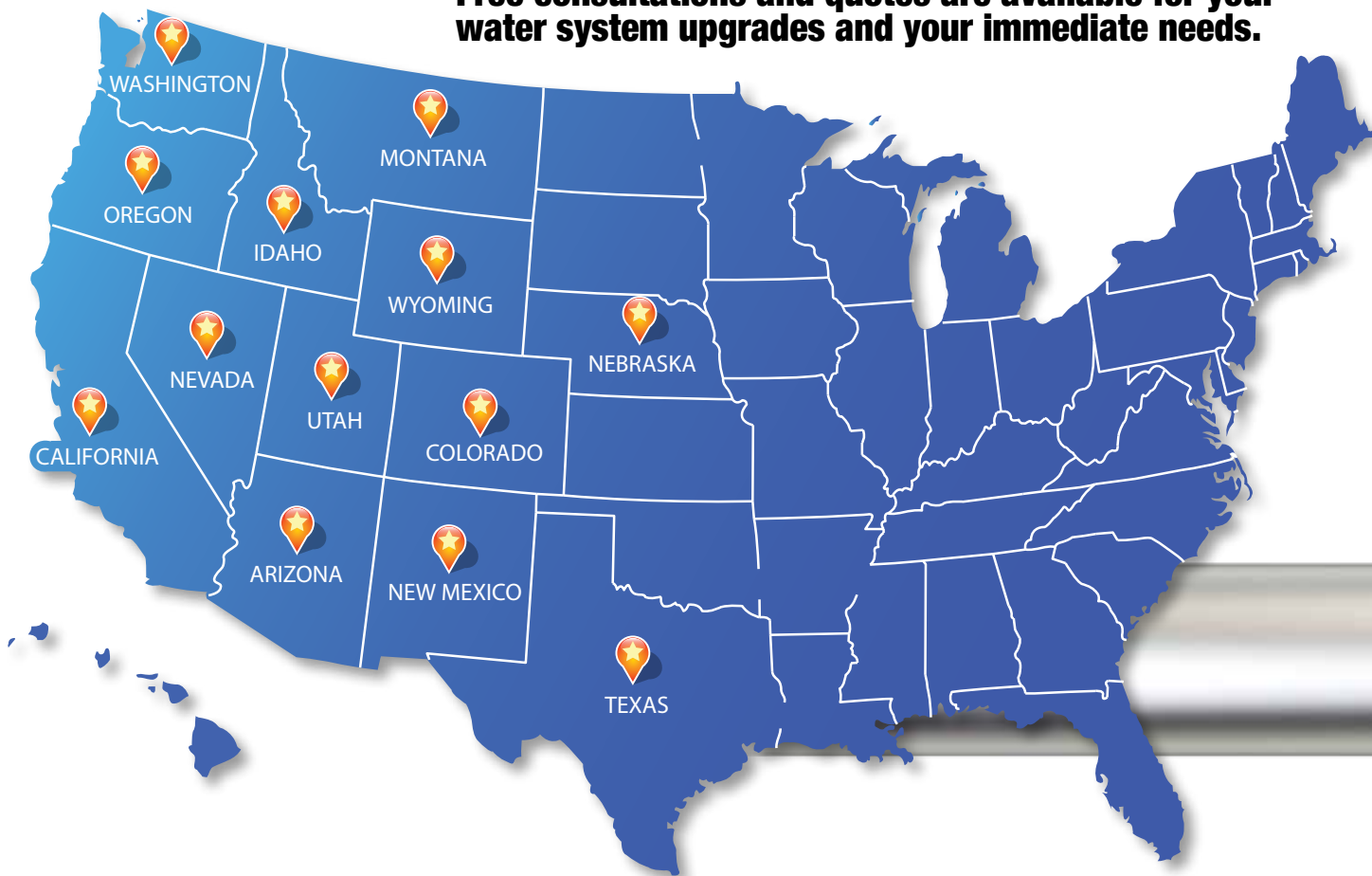
If It Involves Pipe...It Involves Tap Master

In 1993 Tap Master was established in Northern California to serve the Municipalities, Water Works Contractors, and Mechanical & Plumbing Trades. Starting with only one man and one truck, Tap Master has grown to over 50 expert technicians and service trucks, covering over 13 States. Tap Master is the Premier Go To..."No Shutdown" Pipeline Specialty Contractor for underground waterworks, indoor/outdoor Mechanical and Plumbing trades.

Tap Master truly believes the future of water sustainability is an achievable goal. Tap Master and its customers work closely together to bring water efficiency to the drought stricken areas of the West Coast. The availability of our specialty services & latest technologies, allows Tap Master to assist Contractors and Municipalities in finding solutions to save and improve the community's precious water supply. Tap Master's unique services and equipment innovations have been successfully used to gain water savings and have helped dramatically reduce the amount of water loss that would occur when older methods of draining pipelines resulted in leaks going unrepaired. Bypass options if needed, are available to keep your customers in service at all times while work is being performed. Tap Master is the Leader in Safety and will always continue to strive to maintain the latest safety methods while servicing the specialty pipeline and piping needs of the Underground, Plumbing and Mechanical Trades.

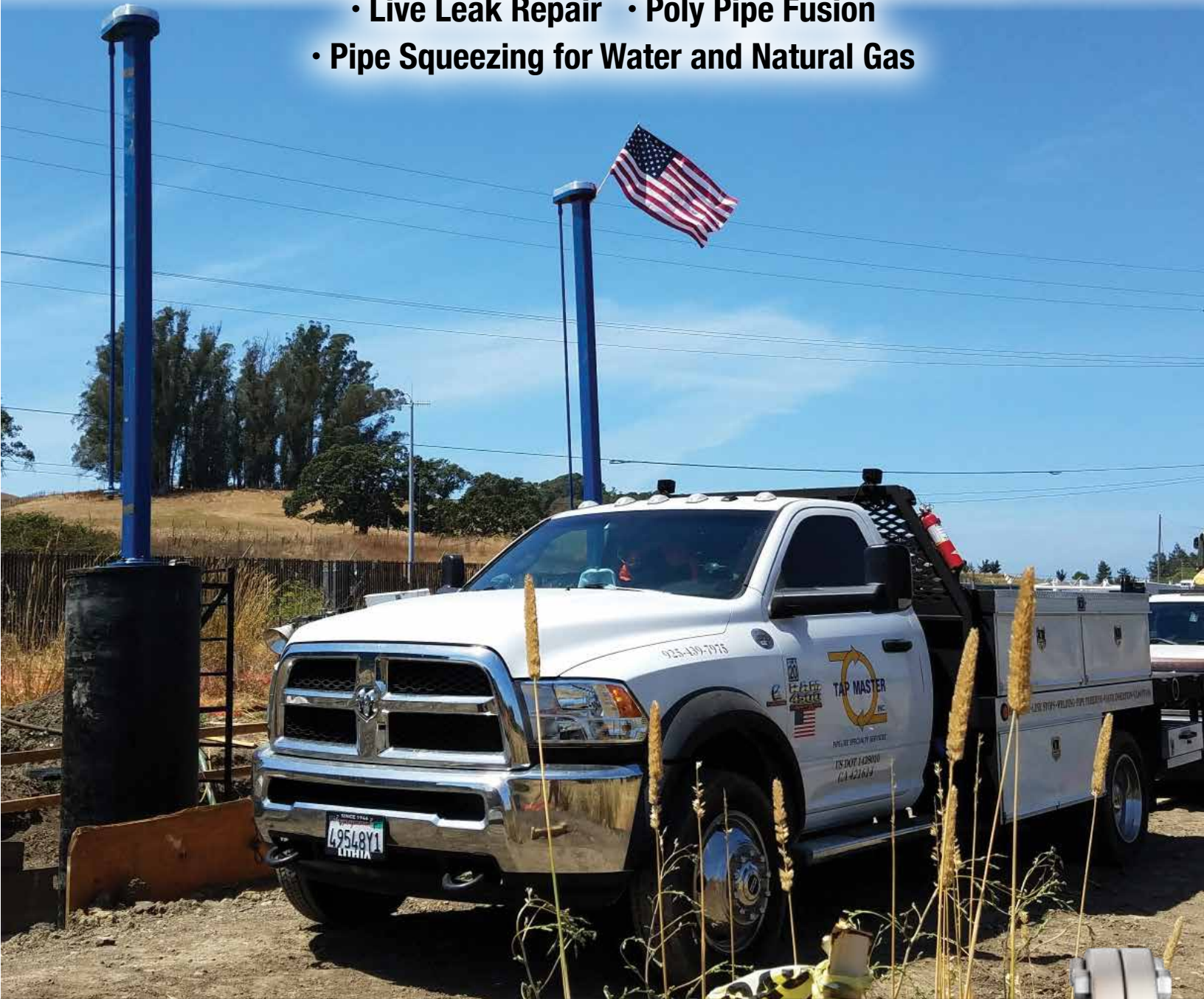
Tap Master has branches in seven locations. Our **Northern California** branch supports Northern California, and Northern Nevada. Our **Vancouver, Washington** branch supports Oregon and Washington. Our **Phoenix, Arizona** branch supports Arizona and Southern California. Our **Albuquerque, New Mexico** branch supports New Mexico and Texas. Our **Las Vegas, Nevada** branch supports Southern Nevada and Southern California. Our **Denver, Colorado** branch supports Colorado, Eastern Wyoming, Eastern Montana, and Nebraska. Our **Salt Lake City, Utah** branch supports Utah, Western Montana, Western Wyoming and Idaho. Tap Master will continue to diversify and add to its Specialty Services in the future to support your customer's needs.

Free consultations and quotes are available for your water system upgrades and your immediate needs.



Tap Master currently provides the following Pipeline Specialty Services

- Hot Tapping/Wet Tapping to 60" • Line Stopping to 60"
- Live Valve Insertion to 24" • Pipe Freeze Isolations to 36"
- Live Leak Repair • Poly Pipe Fusion
- Pipe Squeezing for Water and Natural Gas



www.tapmasterinc.com

24 Hour Emergency Services Available



HOT TAPPING

Hot/Wet Tapping is installing a new branch line connection to your existing in service piping without a shutdown. Tap Master's specialized Hot Tap equipment allows us to get into tight places, where others can't go. Our specialized equipment and technology allows us to do jobs others cannot do.



8" HOT TAP ON C-900 PVC PIPE

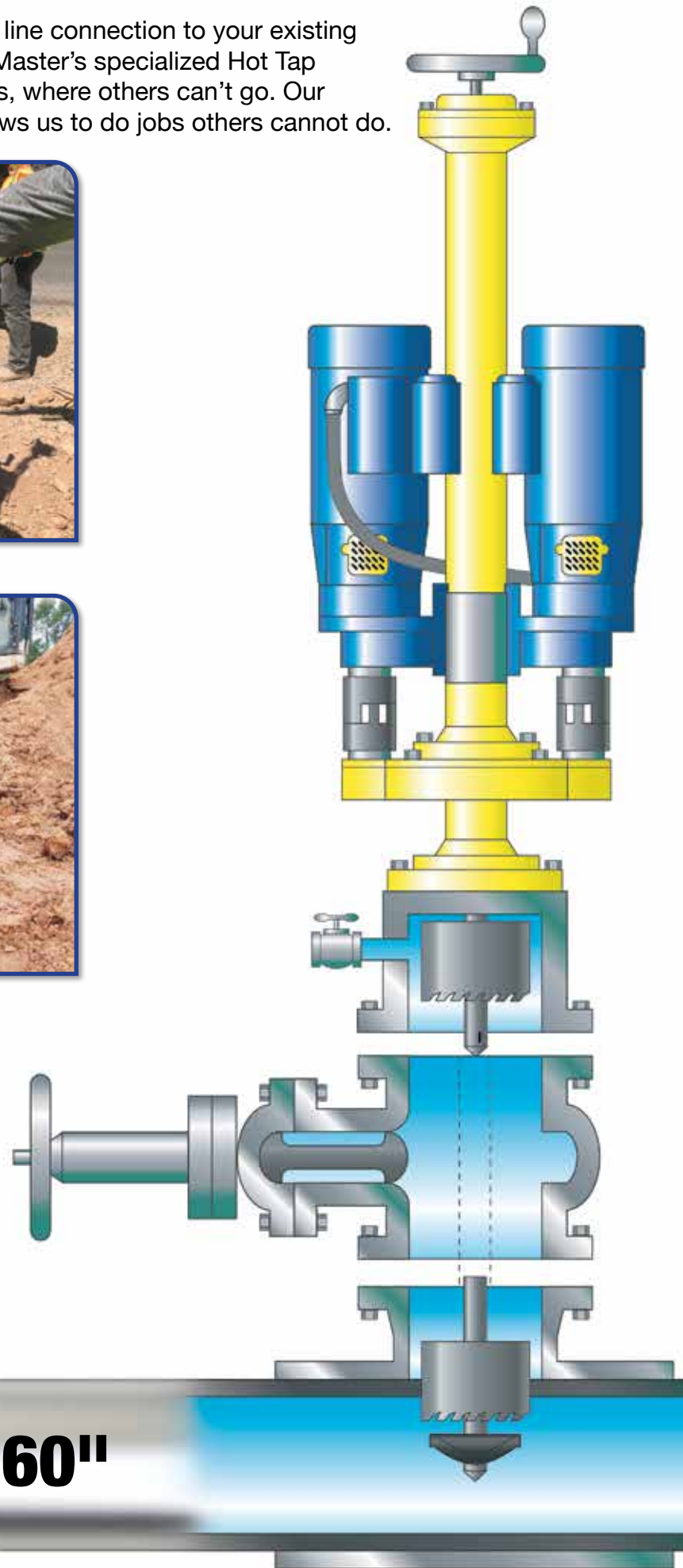


30" x 30" HOT TAP ON DIP

Turn-key services are our specialty as well as tapping through extended length spools, nozzles, and nipples. Size-on-size Hot Taps can easily be done, giving you the maximum flow you require.

24 Hour Emergency Services Available

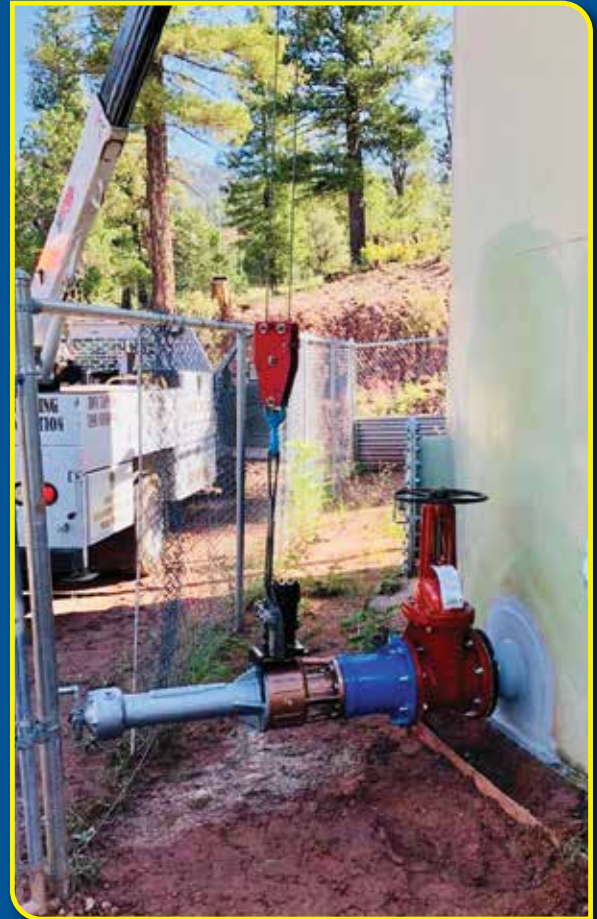
Servicing 1/2" - 60"



HOT TAPS



10" WET TAP ON C-900 PVC PIPE



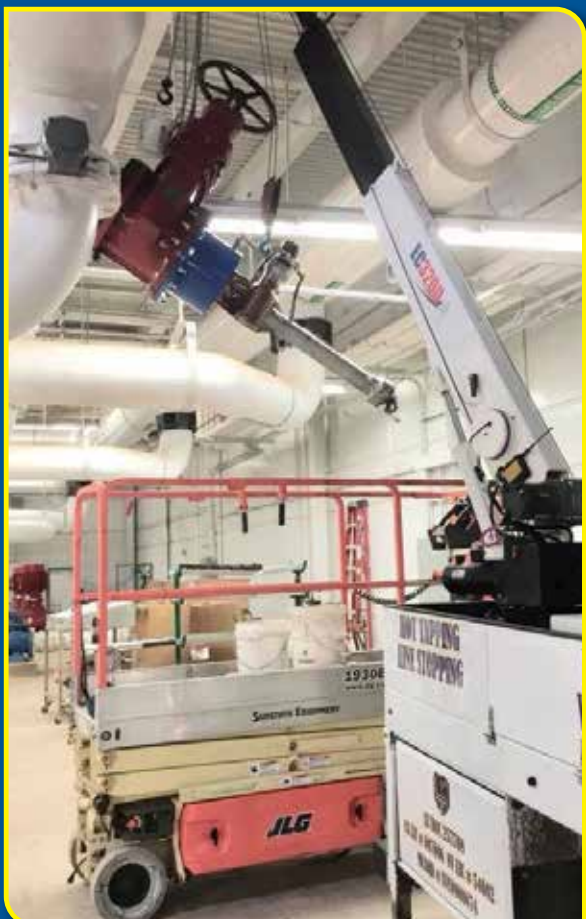
8" HOT TAP ON WATER TANK



1" SERVICE TAP ON 24" AC PIPE



8" WET TAP ON 8" C-900 PVC PIPE



16" HOT TAP ON 24" CARBON STEEL PIPE



10" HOT TAP ON C-900 PVC PIPE

SPECIALTY FITTINGS



**8" x 8" WELD-ON HOT TAP
SPLIT TEE**



HOT TAP / LINE STOP BOLT-ON FITTINGS



HOT TAP SADDLE FOR CONCRETE CYLINDER PIPE



**12" x 12" SS WELD-ON NOZZLE
W/WRAPPER PADS**



**WELD-ON MORTAR LINED
HOT TAP NOZZLE**



HOT TAP, LINE STOP, AND THERMO-WELL WELD-ON FITTINGS



LINE STOPPING



24" x 16" LINE STOP FOLDING HEAD

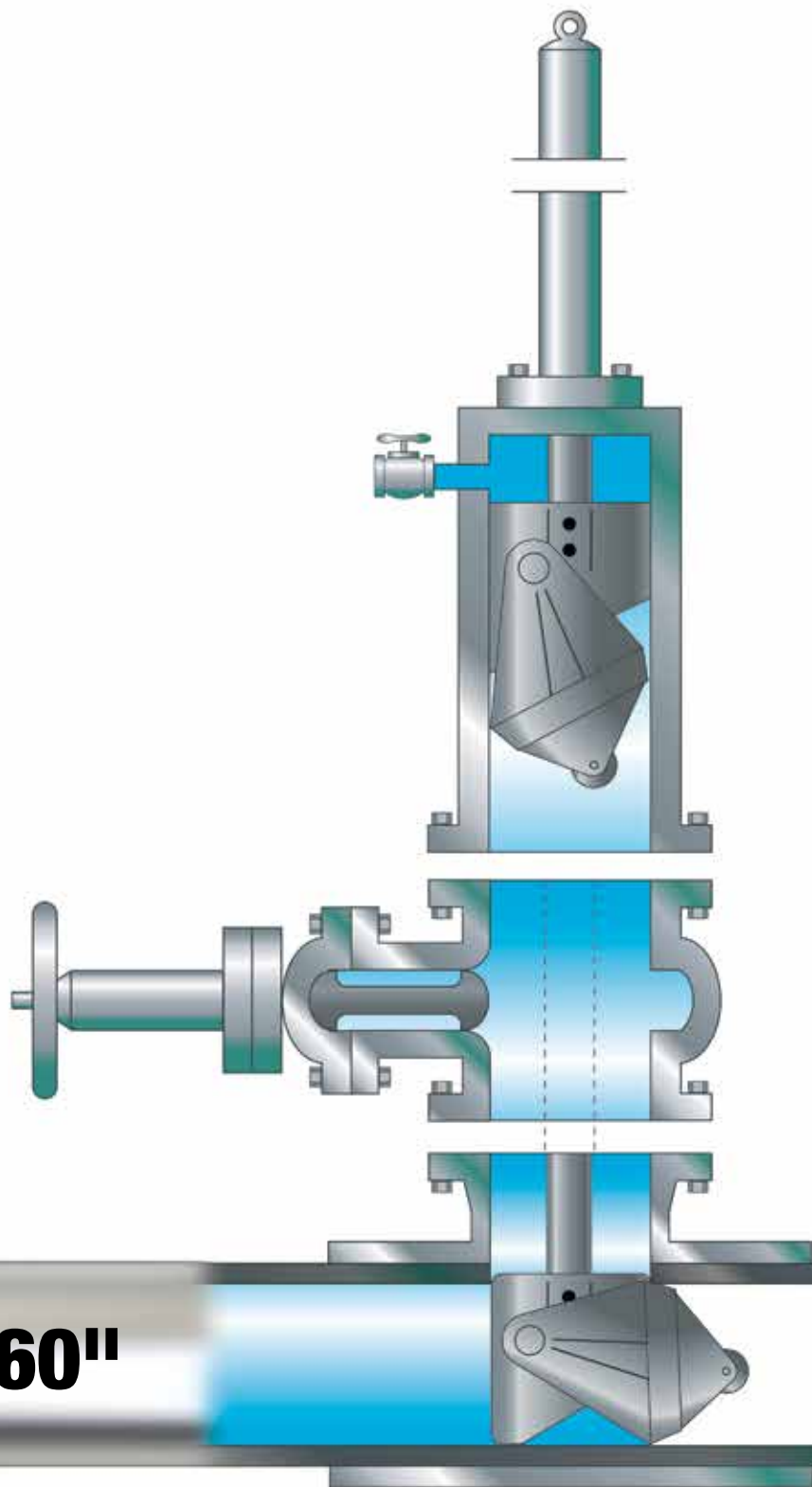


8" x 6" LINE STOP HEAD

24 Hour Emergency Services Available

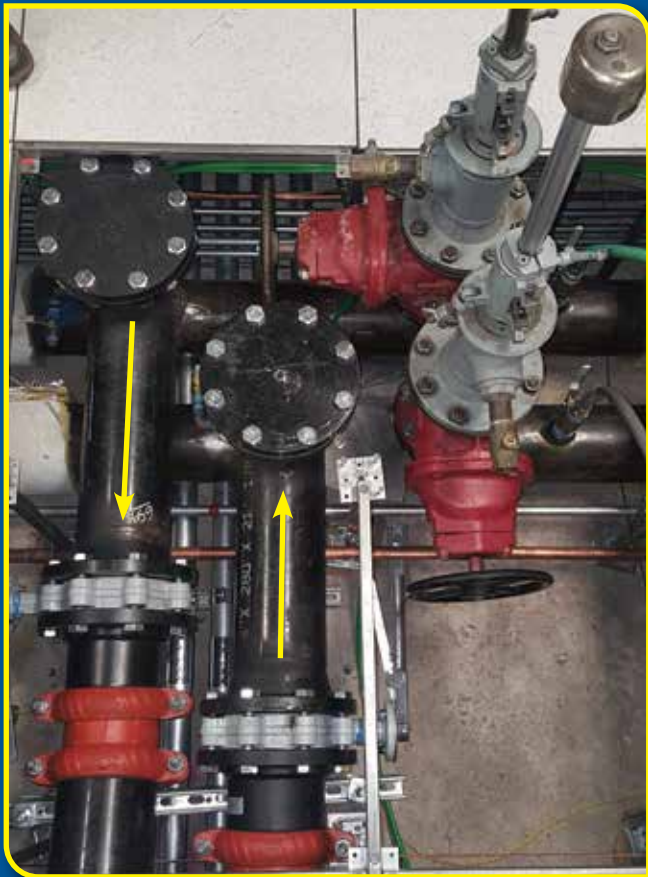
Line Stopping provides a mechanical method to isolate your pipeline. Optional bypass capabilities are available to keep your pipeline in service during repairs.

Valve installation, repairs and piping modifications can be made without interruption of service. Line Stopping is available for all types of pipe, services, products and conditions.



Servicing 1/2" - 60"

LINE STOP WITH BYPASS



DUAL 6" LINE STOPS W/ 6" SAVE-A-VALVE TEE BYPASS TAPS



DUAL 12" x 8" LINE STOPS W/ 12" x 12" BYPASS PIPING

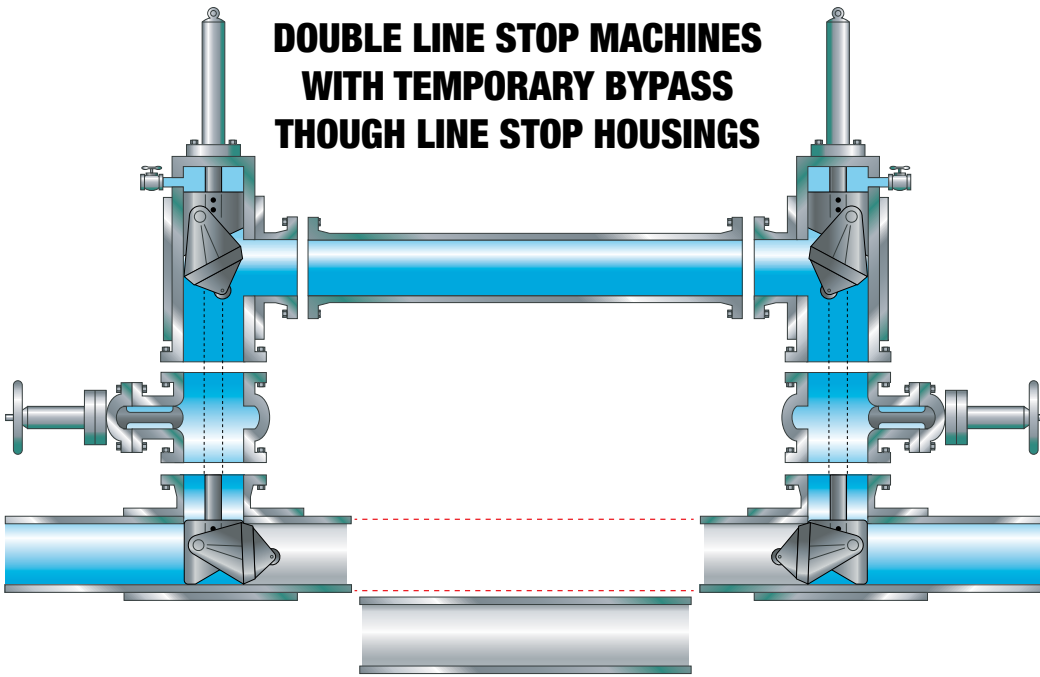


DUAL 24" x 16" LINE STOPS W/ 12" BYPASS PIPING OFF LINE STOP HOUSING

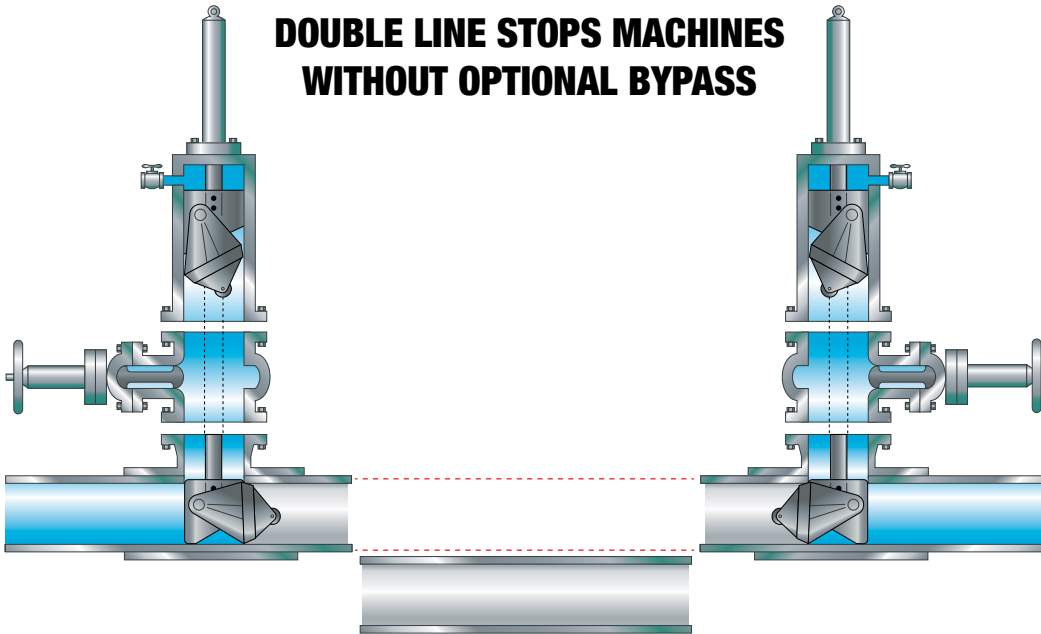


DUAL 6" x 4" LINE STOPS W/ 4" BYPASS PIPING OFF LINE STOP HOUSING

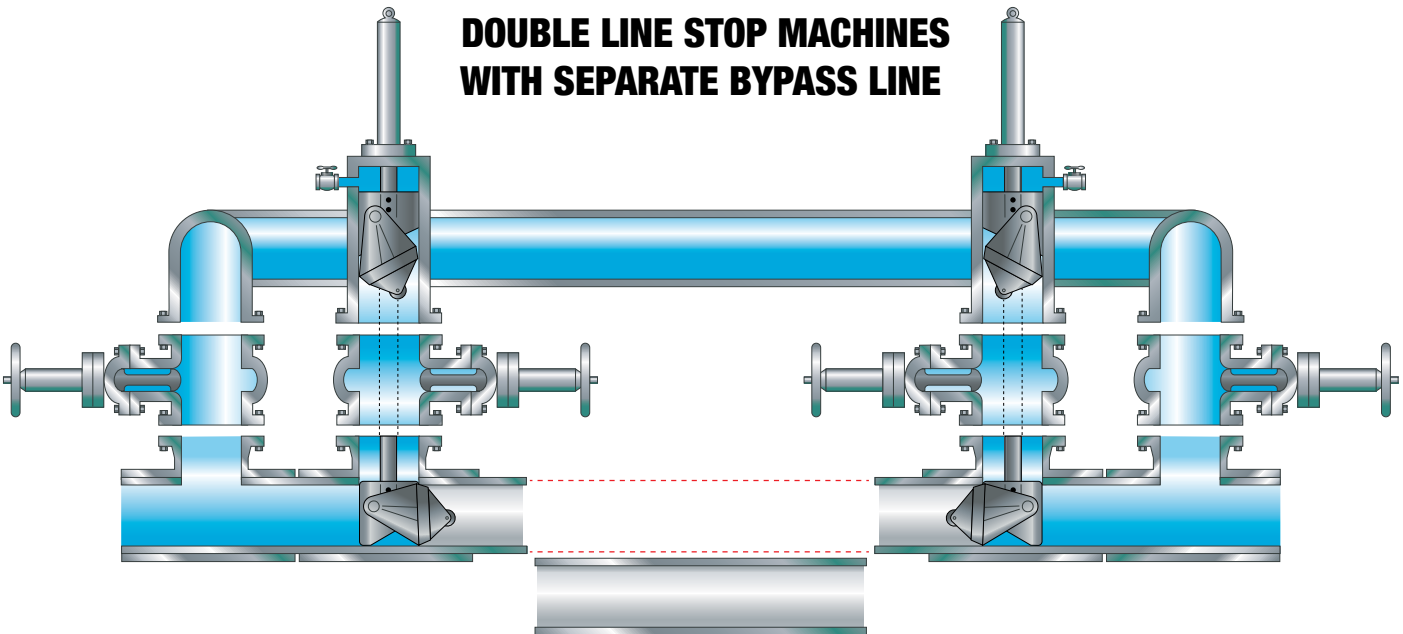
**DOUBLE LINE STOP MACHINES
WITH TEMPORARY BYPASS
THROUGH LINE STOP HOUSINGS**



**DOUBLE LINE STOPS MACHINES
WITHOUT OPTIONAL BYPASS**



**DOUBLE LINE STOP MACHINES
WITH SEPARATE BYPASS LINE**



LINE STOP WITHOUT BYPASS



**DUAL 12" x 8" LINE STOPS
ON MORTAR LINED STEEL PIPE**



**SINGLE 16" x 12" LINE STOP
ON AC PIPE**



**DUAL 6" x 4" LINE STOPS
ON IPS PVC PIPE**



**SINGLE 10" x 8" LINE STOP
ON 90° CARBON STEEL ELBOW**

VALVE INSERTION

- Bonnet:**
Epoxy Coated Carbon Steel
304 Stainless Steel*
- Completion Pin:**
304 Stainless Steel
Coated to prevent galling
- Valve Body:**
304 Stainless Steel
- Valve Cartridge:**
Reinforced Composite
Polymer
- Cartridge Seal:**
EDPM
- Top Mounting Body:**
11 Gauge
304 Stainless Steel
- Body Sealing Gasket:**
BUNA-N Rubber
- Operating Nut:**
Steel Cast
- Bonnet Hardware:**
304 Stainless Steel
- Heavy Duty Valve Stem:**
304 Stainless Steel
- Stem Collar:**
No Lead Brass
- Resilient Wedge:**
Reinforced EPDM
- Body Armor Shields:**
16 Gauge
304 Stainless Steel
- Bottom Mounting Body:**
14 Gauge
304 Stainless Steel

HYDRA STOP INSTA-VALVE 250



MUELLER PERMASEAL INSERTION VALVE



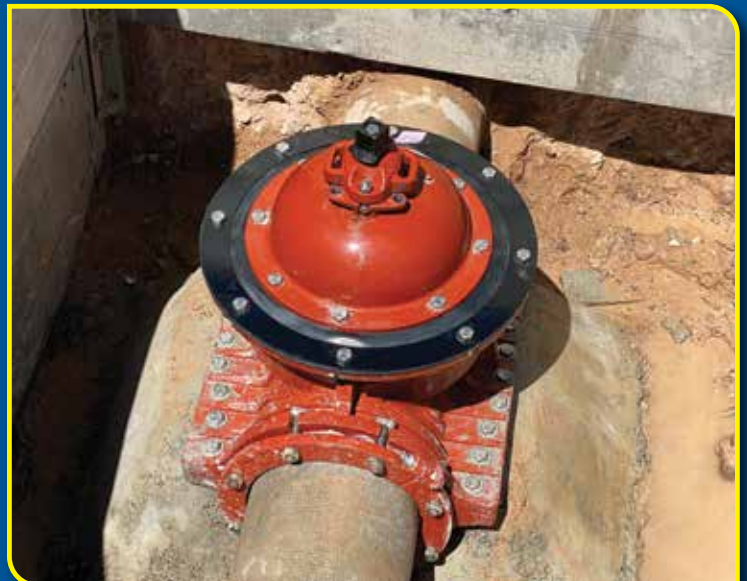
16" VALVE INSERTION ON PVC PIPE



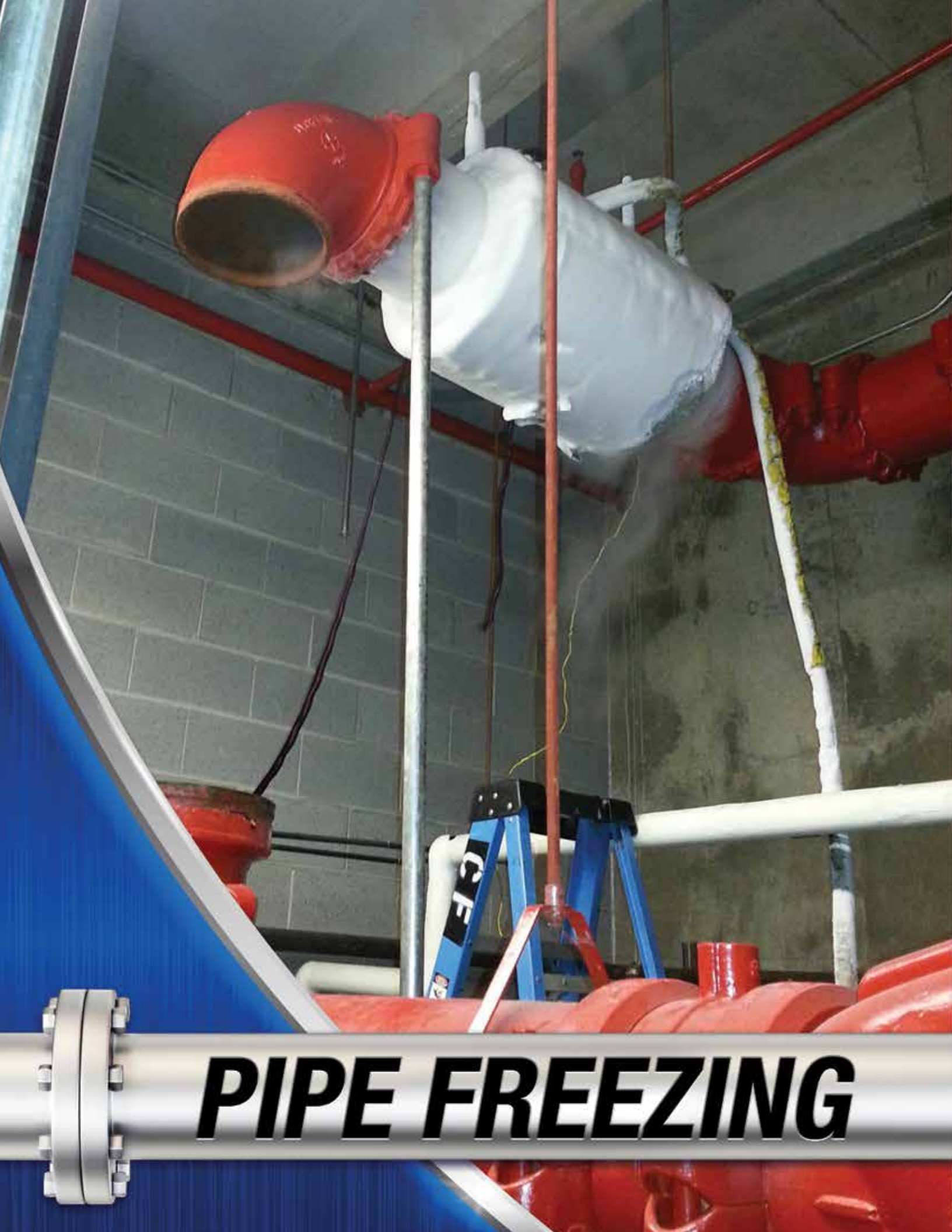
6" VALVE INSERTION ON AC PIPE



24" VALVE INSERTION ON DUCTILE IRON PIPE



12" VALVE INSERTION ON AC PIPE



PIPE FREEZING

Tap Master's proven effective method of Pipe Freezing isolates your piping when draining the system is not economical or environmentally sound. Valve additions and repairs are made quick and easy. This method is great for high pressure and copper piping systems. Less draining allows you to stay in the green.



12" PIPE FREEZE ON CARBON STEEL PIPE



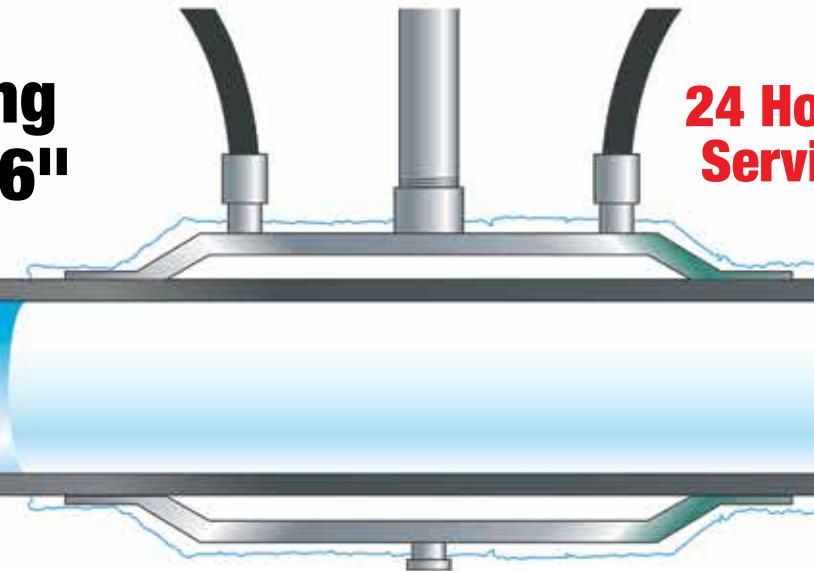
6" PIPE FREEZE



12" PIPE FREEZE ISOLATION PLUG

**Servicing
1/2" - 36"**

**24 Hour Emergency
Services Available**





CORPORATE OFFICE

Northern CA

1647 WILLOW PASS RD. #136
CONCORD, CA 94520

PHONE: (925) 439-7975

CA LIC. # 697696

Phoenix, AZ

5156 W. OLIVE AVE. #273
GLENDALE, AZ 85302

PHONE: (623) 776-3132

AZ ROC 257708

Las Vegas, NV

4001 S. DECATUR BLVD. STE. 37-660
LAS VEGAS, NV 89103

PHONE: (702) 395-2303

NV LIC. # 0056402

Albuquerque, NM

3167 SAN MATEO NE #215
ALBUQUERQUE, NM 87110

PHONE: (505) 595-4066

NM LIC. # 396536

Denver, CO

3700 QUEBEC ST. UNIT 100 #291
DENVER, CO 80207

PHONE: (720) 324-9000

WYOMING, MONTANA

Salt Lake City, UT

1935 WEST 4700 SOUTH #121
SALT LAKE CITY, UT 84129

PHONE: (801) 953-1454

UT LIC. # 10829003-5501

Vancouver, WA

720 SE 160TH AVE, STE. 103, BOX 119
VANCOUVER WA, 98684

PHONE (360)-828-1257

WA LIC. # TAPMAM I835DT

OR LIC. # 239622

www.tapmasterinc.com